

# Take control of your XML data with IBM® DB2® pureXML™ and Altova tools

## OVERVIEW

- **Business need**  
 Query, exchange, transform, and edit XML artifacts stored in DB2 9 with a rich and powerful toolset.

*leading products for XML and data management: XMLSpy, MapForce, StyleVision, and DatabaseSpy.*
- **Why DB2 9?**  
 DB2 9 delivers a multi-structured data server that seamlessly integrates XML and relational services within a highly scalable and reliable engine. It's no wonder Gartner distinguished analyst Donald Feinberg calls it "the most sophisticated XML implementation at this time," and Sean McCown remarks in InfoWorld, "A technological marvel, IBM's new XML-powered server aims to change the face of database storage."

■ **Benefits**  
 Design and perfect XQuery statements faster, with real-time validation for a faster and more robust design-time experience.

*Preview, edit, and validate XML data stored in the database with just a few clicks.*

*Easily manage XML Schemas in the DB2 9 Schema Repository.*

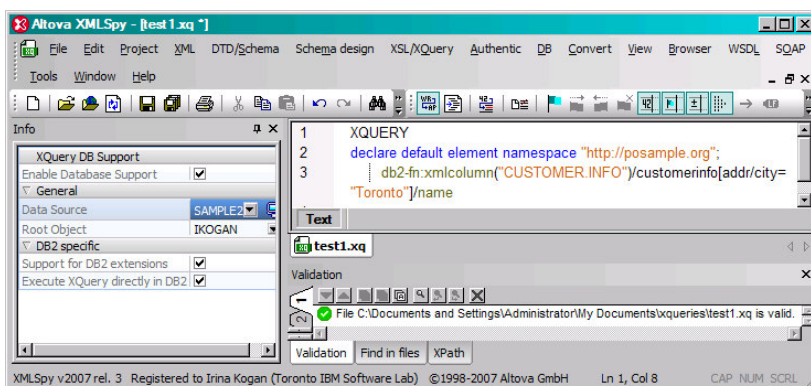
*Map XML data from the database to a CSV file or convert it to an HTML table or other format.*

*And much more...*
- **Solution**  
 Altova provides deep integration with the DB2 9 pureXML feature within their

IBM DB2 data server offers a scalable and reliable information infrastructure that enables users to manage a wide variety of structured and unstructured data—in a unified engine that provides high scalability, high availability, high maintainability, and more. Through the integration of the industry-leading Altova tools with DB2 9, users can manage their XML artifacts more quickly, easily, and accurately.

*"When IBM approached Altova and asked us to integrate our XML and data management tools with DB2 9, we knew we had an unbeatable opportunity to help customers unleash the potential of their data. The new, specialized features in XMLSpy, MapForce, StyleVision, and DatabaseSpy make it practical to develop pureXML applications and to convert, publish, and manage pureXML data with ease."*

*- Alexander Falk,  
 President and CEO, Altova*



Altova XMLSpy XQuery editor with DB2 support

## Integration of Altova tools with DB2 9

To enhance productivity when working with XML, XML Schema, XQuery, and other XML-related technologies supported by DB2 9, Altova has built specialized capabilities that deliver deep integration with the DB2 9 pureXML data server into the following XML and data management products:

**XMLSpy** – the industry-leading XML editor and IDE for working with XML documents, XML Schema, XQuery, XSLT, XPath, and more.

**MapForce** – a data mapping and conversion tool that builds and maintains relationships between XML, databases, flat files, EDI, and Web services, making it easy to orchestrate your artifacts for inclusion in a service-oriented architecture, Web service, or custom data integration application.

**StyleVision** – a visual stylesheet creation tool for delivery of XML and relational data through

HTML, PDF, Word/RTF, and electronic forms.

**DatabaseSpy** – an end-to-end development tool for database query and design.

## XMLSpy and DB2 9

Working with XML Schemas and other XML-based documents in a professional XML editor is substantially more productive than working with XML in a regular text editor. This is especially true for large industry standard XML schemas/documents.

The Altova XMLSpy XML editor and XML IDE includes graphical and text-based views customized for working with different XML technologies, and features such as intelligent entry helpers, validation checking and troubleshooting, debuggers and profilers, and much more help users develop XML applications faster than ever before.

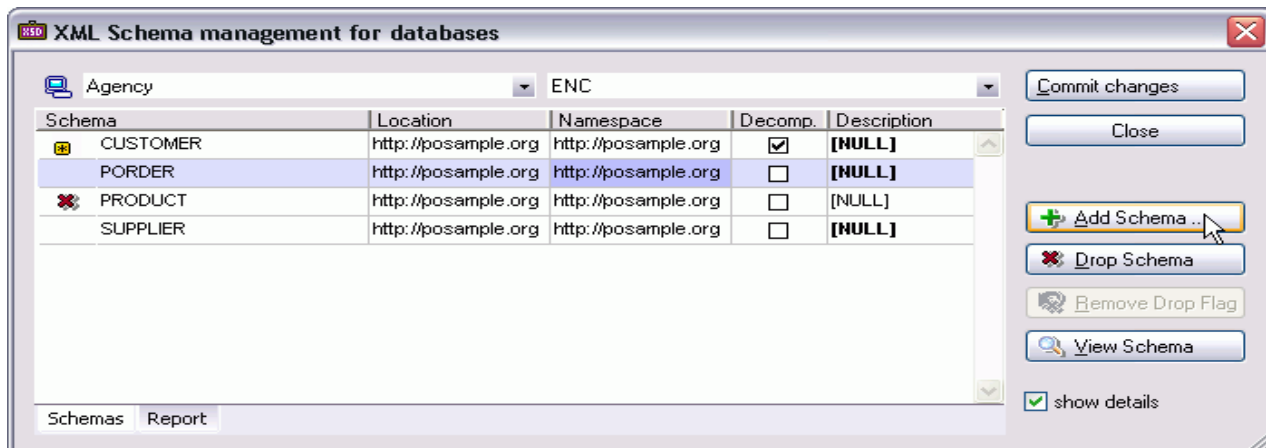
The XQuery language, which is still relatively new, is an important technology for working

with XML stored in databases. The powerful XQuery editor, debugger, and profiler in XMLSpy support standard XQuery as well as the DB2 XQuery extensions and allow users to quickly adapt to working with XQuery to develop XML-based applications.

XMLSpy also includes robust database integration features for querying DB2 databases, generating XML Schemas from database schemas, inferring database schemas from XML Schemas, and more.

Experience XMLSpy's deep integration with DB2 9 to:

- Edit, debug, and profile XQuery statements with an editor extended for DB2 9.
- Visualize the database structure and easily query its tables using SQL, SQL/XML, and XQuery statements.
- Edit the XML data seamlessly with optional validation and persistence services.
- Manage XML Schemas stored in the DB2 XML



Altova XMLSpy XML Schema management for DB2

Schema Repository with a complete set of services available from a point-and-click interface.

- Transform the XML data for use in other applications.

### MapForce and DB2 9

Database users often need to map, convert, and integrate XML and relational data with other prevalent data formats. Altova MapForce provides a graphical interface for mapping between today's most common formats: XML, relational database, flat file, EDI, and Web services formats.

Make use of MapForce to:

- Map XML data directly to and from DB2 9 databases by assigning an XML Schema to the data using an intelligently designed drag-and-drop interface.
- Easily access, preview, and integrate database data.
- Use high-performance filtering of database sources within data mapping projects.
- Graphically build Web services that utilize or write to DB2 databases.

### StyleVision and DB2 9

Presenting business users and customers with access to database data in useful, attractive formats is a challenge that is simplified using Altova StyleVision. StyleVision is a visual stylesheet and database report designer for rendering XML and relational data in HTML, PDF, RTF, and electronic forms – all based on a single

design. Simple drag-and-drop functionality lets you design attractive, effective output to multiple media in a straightforward, graphical way.

Single out StyleVision to:

- Create XSLT and XSL:FO stylesheets to publish XML and relational data using drag-and-drop functionality and advanced design features.
- Quickly produce multiple output documents in HTML, PDF, and Microsoft® Word/RTF for publishing and communicating data in the DB2 9 pureXML repository.

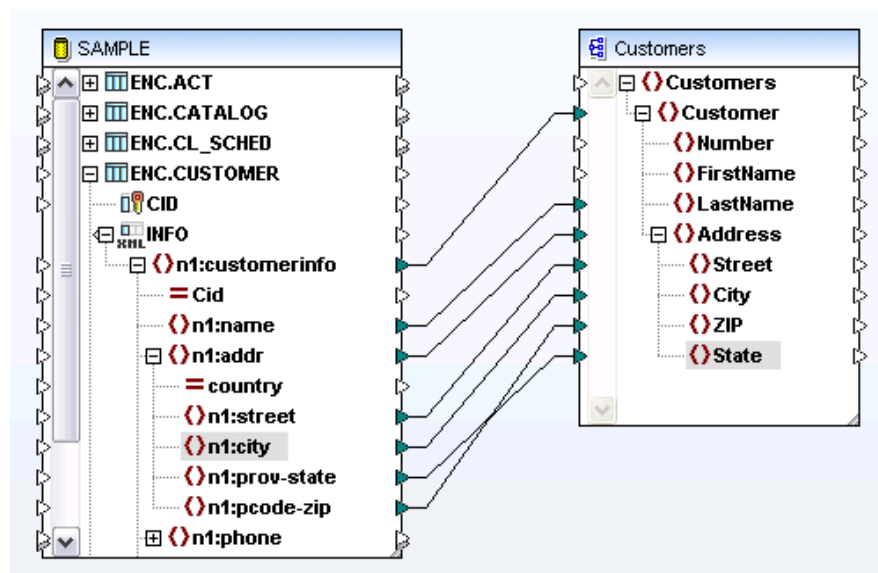
### DatabaseSpy and DB2 9

Database administrators and other IT pros often need to explore and maintain multiple databases, including ones they did not originally create. With a unified interface for visualizing, exploring, and modifying DB2 and other databases, Altova

DatabaseSpy eases SQL editing and simplifies database design.

Depend on DatabaseSpy to:

- View database tables and associated XML Schemas in a hierarchical tree.
- Manage XML Schemas registered in the database.
- Organize frequently used queries into project files for quick retrieval.
- Graphically view and modify database tables and their relationships.



Altova MapForce mapping DB2 pureXML data

## IBM and Altova

Only IBM and Altova provide deep integration between the world's first multi-structured data server with the industry's premier XML tools. Together, IBM and Altova can flatten the time-to-value curve for your XML solution with faster development, querying, and deployment for all things XML. This represents a unique opportunity for organizations managing or preparing to manage XML data in databases, ultimately reducing costs and increasing revenues through service fulfillment and customer loyalty.

The combination of Altova tools and DB2 9 pureXML can help all stakeholders in the XML community (developers, DBAs, and end users) be instantly productive.

**Get DB2 9 pureXML and Altova tools in the hands of your developers.**

**Already have a strong commitment to an IDE? The Altova toolset and DB2 pureXML features provide add-ins for the world's most ubiquitous IDEs, such as Visual Studio 2005 and Eclipse.**

*“Altova’s tools for pureXML are key for developers and DBAs. XML is quickly becoming a predominant format for data exchange, and information management professionals need capabilities to store, access, and manipulate XML data natively. The combination of the market leading database-enabled XML tools from Altova together with the industry’s most advanced XML-enabled data server from IBM provides customers with the optimal solution to address this requirement.”*

*- Salvatore Vella, Vice  
President, IBM DB2 Data  
Server Development*

*For further information visit:  
[www.ibm.com/db2/xml](http://www.ibm.com/db2/xml)  
and  
[www.altova.com](http://www.altova.com)*



© Copyright IBM Corporation 2007  
IBM Toronto Lab  
8200 Warden Avenue  
Markham, OL6G 1C7  
Canada

9-07  
All Rights Reserved.

Neither this documentation nor any part of it may be copied or reproduced in any form or by any means or translated into another language, without the prior consent of IBM Corporation.

IBM, IBM logo, DB2, and pureXML are registered trademarks or trademarks of International Business Machines Corporation in the United States and/or other countries.

Microsoft is a trademark of Microsoft Corporation in the United States, other countries, or both.

Other company, product or service names may be trademarks or service marks of others.

The following paragraph does not apply to the United Kingdom or any other country where such provisions are inconsistent with local law: INTERNATIONAL BUSINESS MACHINES CORPORATION PROVIDES THIS PUBLICATION "AS IS" WITHOUT WARRANTY OF ANY KIND, EITHER EXPRESS OR IMPLIED, INCLUDING, BUT NOT LIMITED TO, THE IMPLIED WARRANTIES OF NONINFRINGEMENT, MERCHANTABILITY OR FITNESS FOR A PARTICULAR PURPOSE.

Some states do not allow disclaimer of express or implied warranties in certain transactions, therefore, this statement may not apply to you.

The information contained in this document is subject to change without any notice. IBM reserves the right to make any such changes without obligation to notify any person of such revision or changes. IBM makes no commitment to keep the information contained herein up to date.

References in this publication to IBM products or services do not imply that IBM intends to make them available in all countries in which IBM operates.

Information concerning non-IBM products was obtained from the suppliers of those products, their published announcements or other publicly available sources. IBM does not claim to have tested those products and cannot confirm the accuracy of performance, compatibility or any other claims related to non-IBM products. Questions on the capabilities of non-IBM products should be addressed to the suppliers of those products.